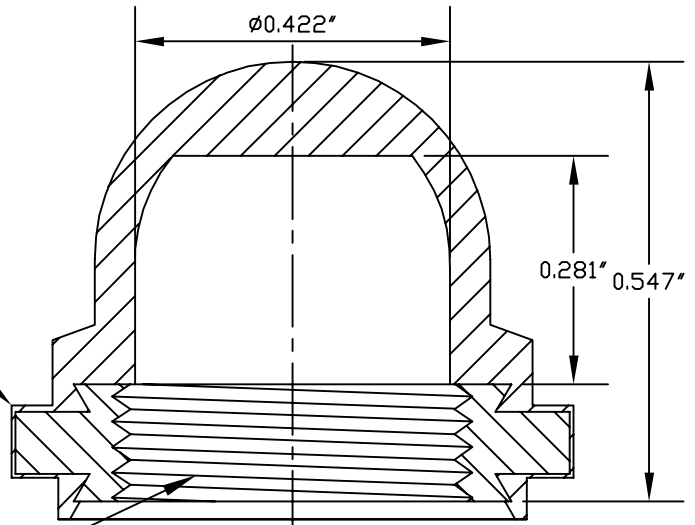
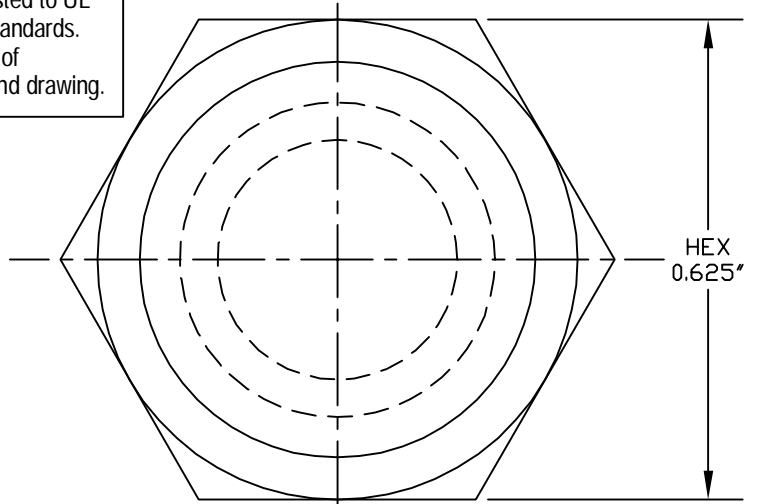


SPECIFICATIONS

Material: HEXSEALS: Silicone rubber conforms to A-A-59588 Class 3, GR 60 unless otherwise specified.
Mounting Nut: HEXSEALS: Brass, nickel-plated (unless otherwise noted)
Temperature Range: HEXSEALS: -94°F to +400°F
Pressure Range: Exceeds 15 psi internal and 1500 psi external.
Operational Life: 50,000 actuations (minimum).
Shelf Life: Excess of 25 years.
Resistant to: Salt spray, sunlight, ozone, weather, fungus, and most acids and lubricating oils
Agency Recognition: E-SEELS and HEXSEALS are UL-listed to UL Std. 50 types 1-13, and meet CSA standards.
Installation: If a reducing adaptor is required - see page 14 of HEXSEAL catalog HEX200 for part numbers and drawing.



PERMISSIBLE RUBBER
 OVERLAY 0.005 MAX.

15/32-32NS-2B

J	MAT'L CHANGED and REDRAWN		S. GOK	06.11.09
I	CAD COMPUTER GENERATED			09.23.02
H	UPDATED, ADDED ORDER NUMBERS, DWG. NO. WAS 1231/SERIES		W.P.	11.24.76
REV.	DESCRIPTION			DATE
MAXIMUM AND MINIMUM MEASUREMENTS ARE STATED DIRECTLY ON EACH DIMENSION. MAT'L: Silicone Rubber A-A-59588, Gr.60	TITLE:	BOOT, PUSH BUTTON SWITCH (N-3030)	ENG. M. MORSE	01.21.60
			DWN. S. ANDREWS	01.21.60
			CHKD. B. GLICKSMAN	01.21.60
FINISH: GRAY	APM-HEXSEAL CORPORATION	SCALE 4 : 1	DWG. NO. (N-3030) HEXSEAL ®	

THIS DRAWING COVERS PROPRIETARY ITEM AND IS THE PROPERTY OF THE APM-HEXSEAL CORPORATION.
 THIS DRAWING IS NOT TO BE COPIED OR USED WITHOUT THE WRITTEN APPROVAL OF AN OFFICER OF THE APM-HEXSEAL CORPORATION.